

Contents enclosure no. 7

- 1) Cross section of existing conditions
- 2) Outline of the river opening - normal cross section //// new concrete
- 3) Outline of the river opening - submerged area //// new concrete
- 4) Outline of the river opening - new concrete wall
- 5) Outline of the river opening - different location of the side and the possibility of accessing the water

Rev.	Date	Prepared	Checked	Approved
------	------	----------	---------	----------

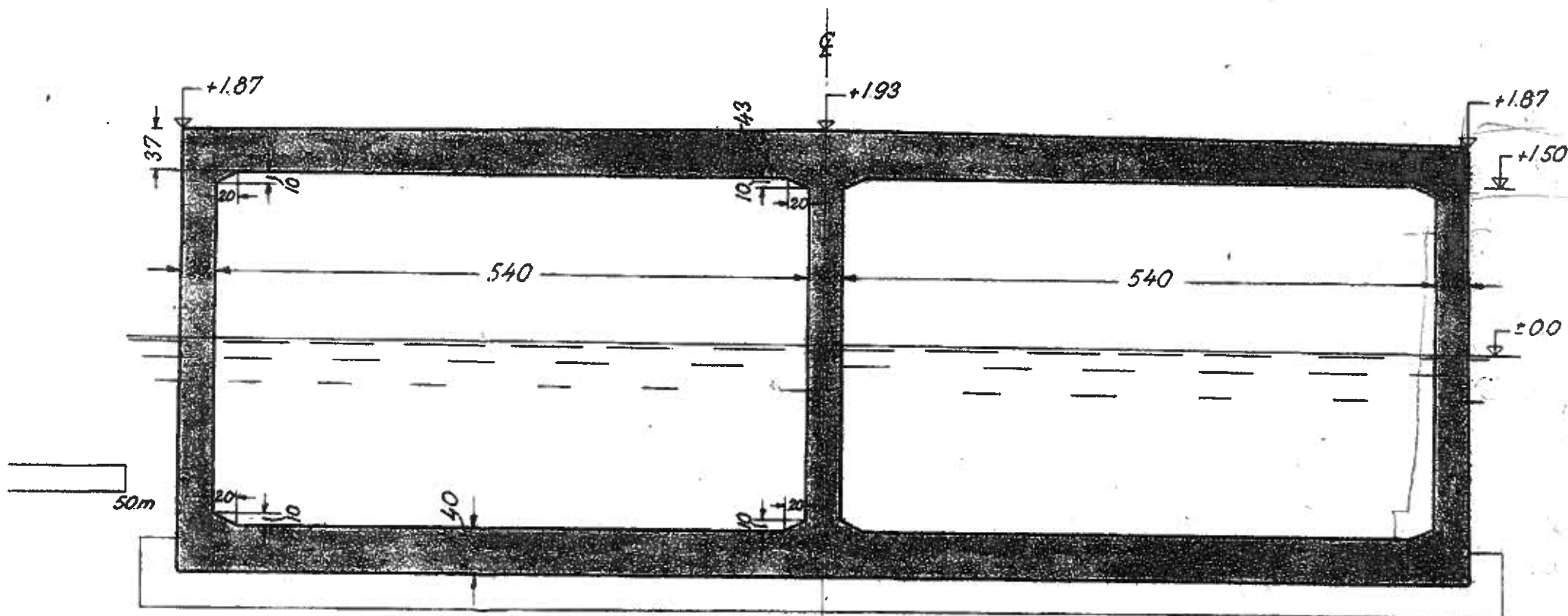
Project No. 0749401	Scale	File
---------------------	-------	------

New Central Urban Waterfront and MEDIASPACE in Aarhus

The River of Århus, existing conditions and technical principles for the opening

RAMBOLL

Olof Palmes Allé 22
8200 Århus N
Tlf. 8944 7700
Fax 8944 7625
Enclosure no.

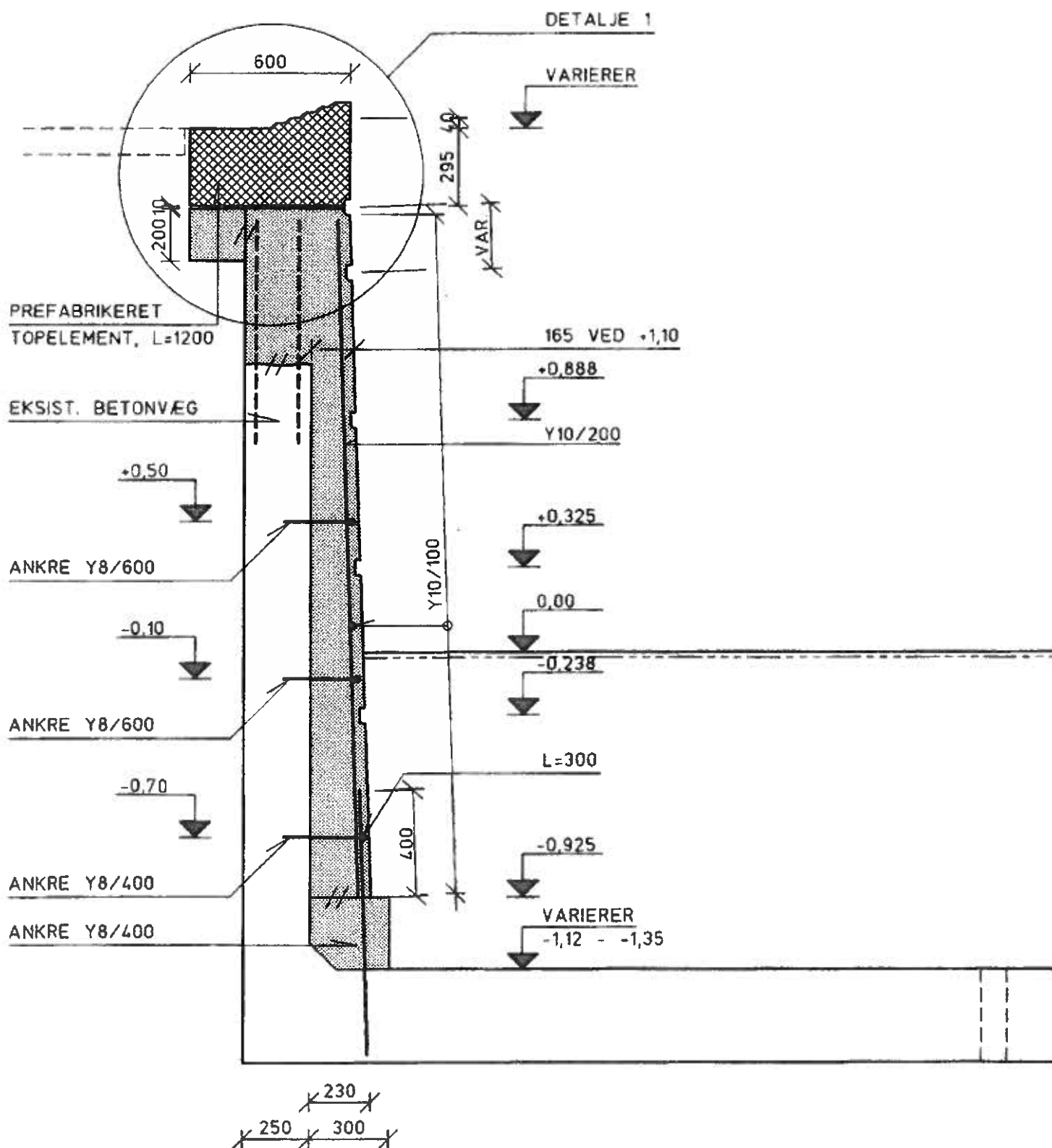


Tværsnit.

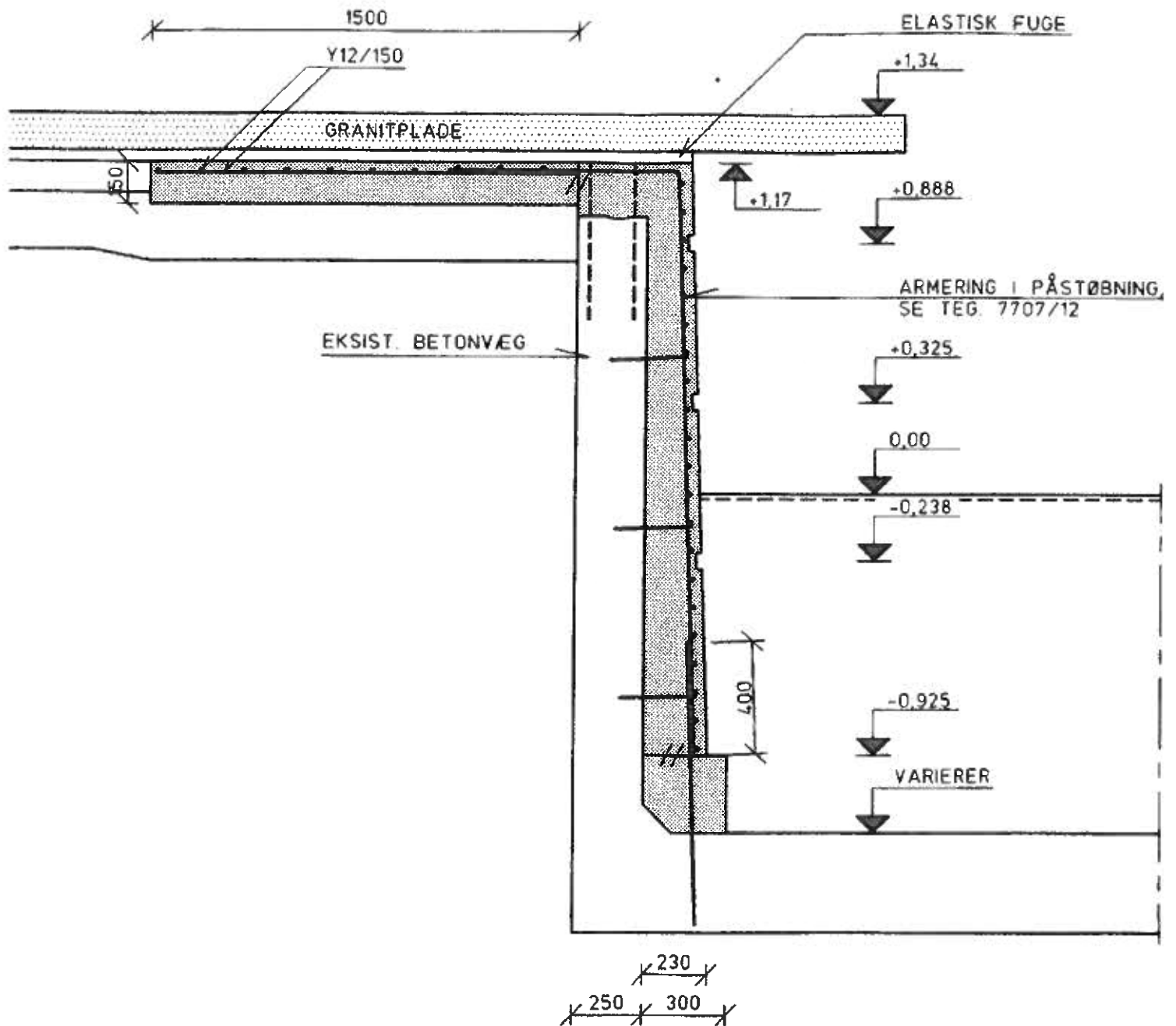
1:50.

Koter i m, jerndiameter i mm, alle øvrige ubenævnte mål i cm.

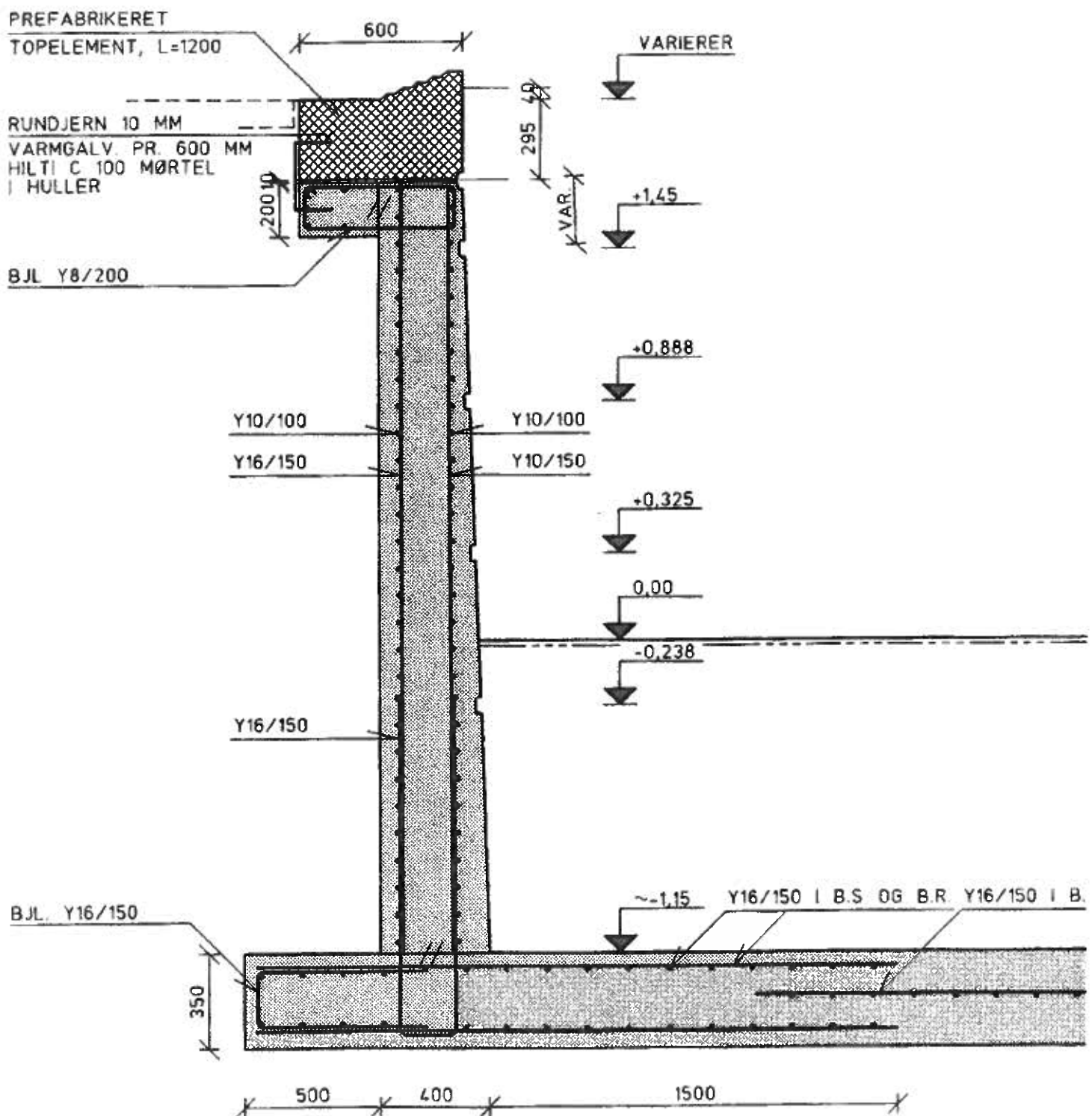
Betondæklag 3 cm, dog for dykkerledningerne 5 cm.



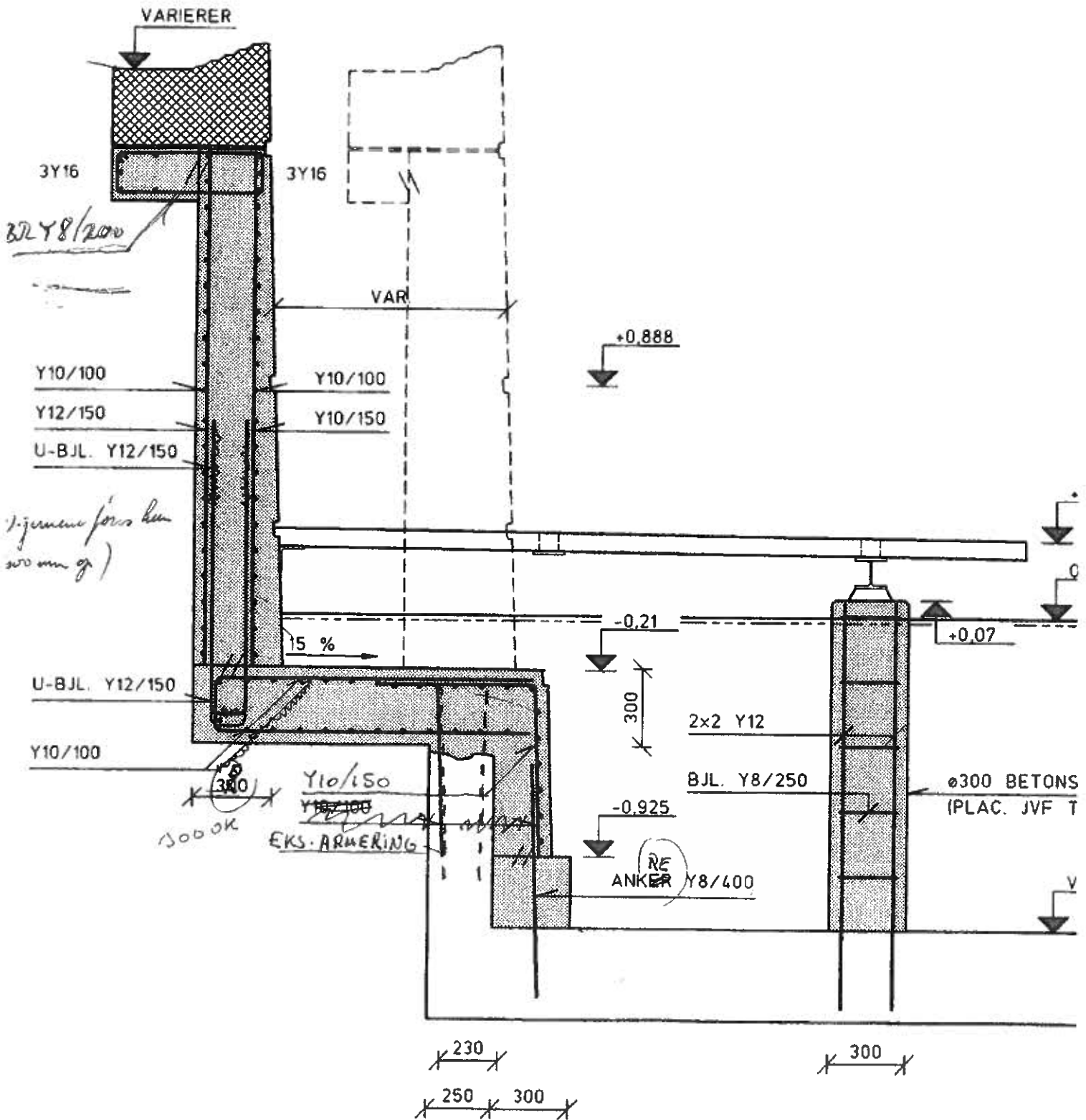
SNIT I VÆG NORMALT TVÆRSNIT · 1:20



SNIT VED FORSÆNKET AREAL , 1:20



SNIT 1 I VÆG, TVÆRSNIT, 1:20



SNIT I VÆG NORDSIDE, 1:20